

REPLACEMENT GUIDE | Sigyn^{MkI} Front White LEDs

version 1.0.0 | June 2023

In order to benefit from a flow of visible light instead of the illumination generated by IR LEDs, you can now decide to replace the electronics containing the IR LEDs installed at the front and at the back of the Sigyn MkI tactical ground robot with a PCB including powerful white LEDs.

REQUIRED ITEMS

Components



2x Electronics with mounted Front white LEDs



1x Sigyn MkI Tactical sUGV

Tools



The intensity of the new white LEDs can be adjusted to suit your needs, just like the original IR LEDs. To adjust their brightness, go to the GCS MkII's 'Device Settings' menu and select 'Sigyn' then 'Front LED Brightness'. Scroll up or down to set the percentage (by default 0%) of Sigyn MkI front LEDs brightness between 0% to 100%.

Technical specifications

■ Color	Cool White
■ 50° Power Angle	55°
■ Luminous Intensity	6900 mcd

REPLACEMENT STEPS

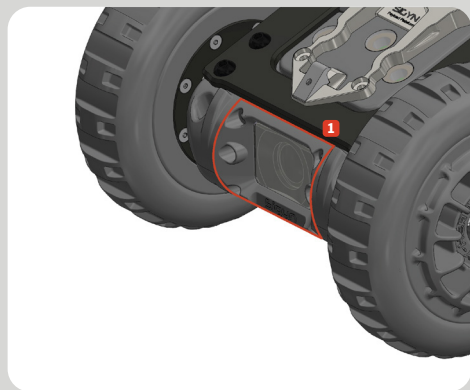
Please refer to the explanations below and to the diagrams overleaf for details of the various steps that need to be followed:

- STEP 1** Identify the Sigyn MkI front mask **1**, which will be the target part to be modified to both the front and rear of the robot.
- STEP 2** Remove the four visible screws **2** (M2,5x6 Round Head Screw / Torx T8) securing the front mask to the robot body.
- STEP 3** Carefully remove the front mask, taking care not to pull too hard on it, as the LED board's power cable **3** is attached to it. Once removed, the clamped camera cover **4** will probably come off as well. Put it aside for reinstallation.
- STEP 4** Carefully unclip the white 2-pin connector **5** from the visible circuit board attached to the front mask. When this operation has been carried out, you'll have the entire front mask in your hands.
- STEP 5** Unscrew the two screws **6** (M2x4 Round Head Screw / Torx T6) that hold the IR LED circuit board to the front mask cover. After removing the IR LED circuit board **7**, set it aside for potential future reassembly.
- STEP 6** Take the new Front White LEDs electronics and screw it to the front mask using the two M2x4 screws **6** and the T6 screwdriver.
- STEP 7** To reassemble the unit, follow the previous steps in reverse order:
 - Reconnect the white 2-pin connector **5**;
 - Precisely align the Camera cover **4**;
 - Insert the reassembled front cover into the space provided;
 - Screw the M2,5x6 locking screws **2** back into the robot casing.

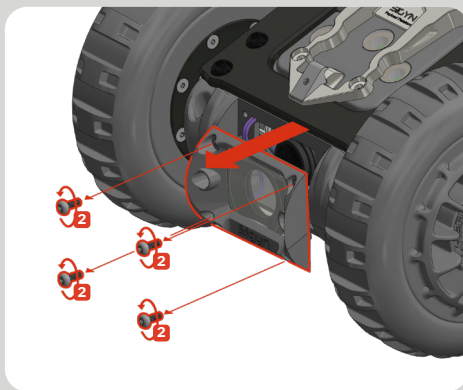
For the opposite Sigyn MkI front mask, repeat the entire procedure.

DISMANTLING STEPS

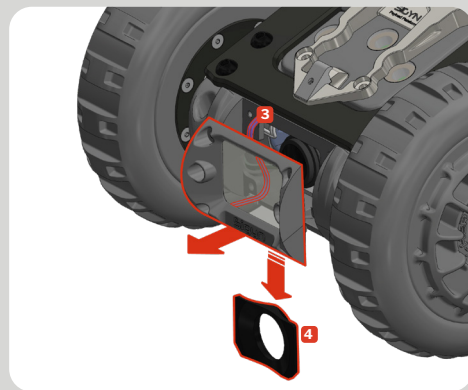
STEP 1



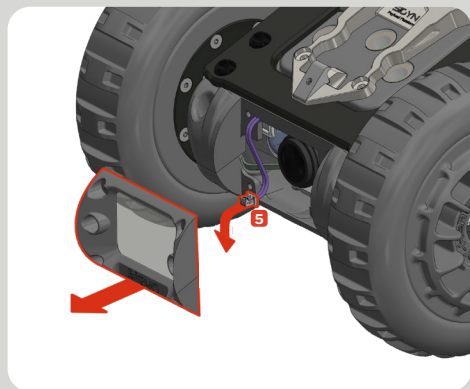
STEP 2



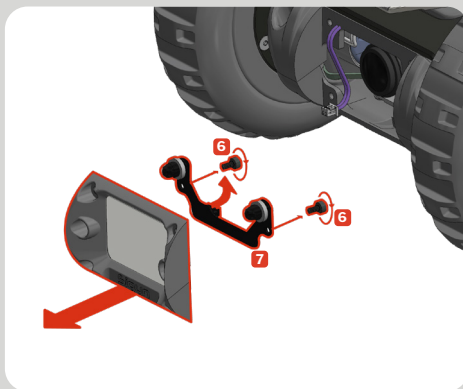
STEP 3



STEP 4



STEP 5



Are you missing any parts / accessories or do you need assistance with this unit?

Contact your local distributor
sky-hero.com/distributors